



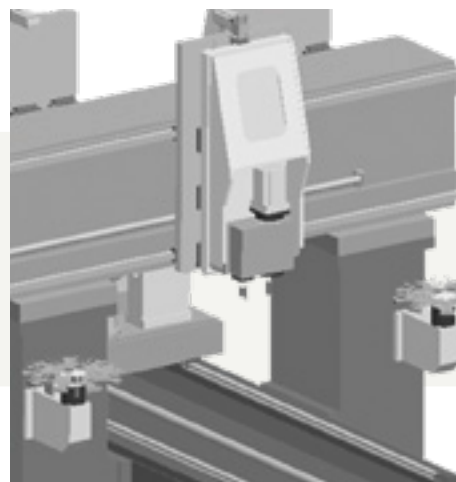
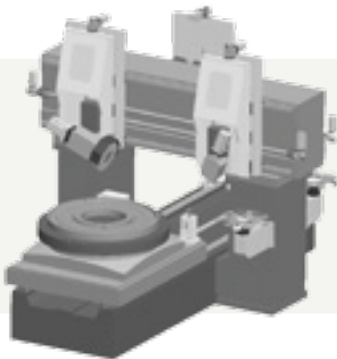
# ID-, OD- and Surface Grinding, Turning, Boring, Milling



gantryLine RT

## Experience the gantryLine RT

The gantryLine RT is ideal for complete machining of symmetrical and asymmetrical cylindrical work pieces for gas/water turbines and jet engine turbine housings.



E.g. gantryLine RT with 3 supports, 2 rotating grinding spindles and 1 turning/milling spindle.

The gantry design concept of the machine provides the highest precision for large work pieces.

The gantryLine RT is equipped with a rotating table to process rotation-symmetrical work pieces up to 3,000 mm diameter.

The torque motor of the rotating table allows for high precision machining of eccentrically located holes. The hydrostatic rotating table guarantees highest precision even with heavy work pieces.

### **Machining options on the gantryLine RT:**

- Grinding
- Turning
- Milling
- Boring



## Benefit Overview

- For work pieces up to 3,000 mm diameter
- Highest precision through gantry design
- 11 Technologies
- Up to 4 tool supports
- Flexible process guidance
- 4- and 5-axes machining

## Design Characteristics

### Gantry Design

- High-precision machining of components
- Highest precision of the machine

### Machine Base, Columns and Slides welded Steel Design

- Optional high-precision version

### Hydrostatic Rotating Table with Torque Motor

### Multi-Axis Machining

- Simultaneous machining with several NC-axes

## Machine Concept

### Up to 4 Supports

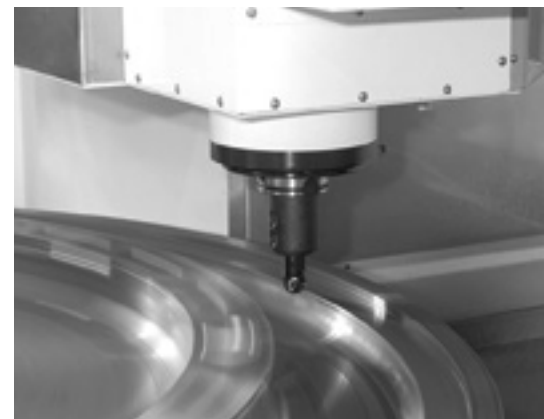
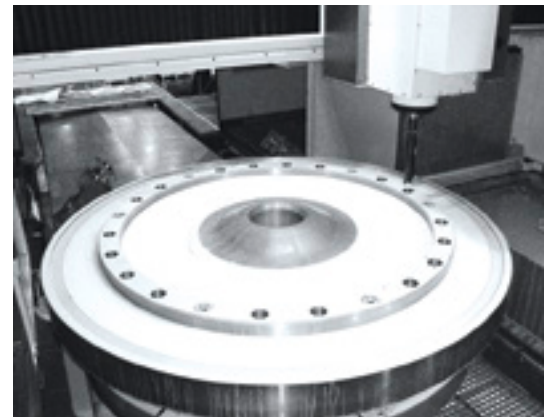
- Horizontal
- Vertical
- Rotating

### Additional Features for Grinding, Turning and Milling Tools

- Tool changer
- Measuring sensor

### Controls

- Sinumerik 840D sl



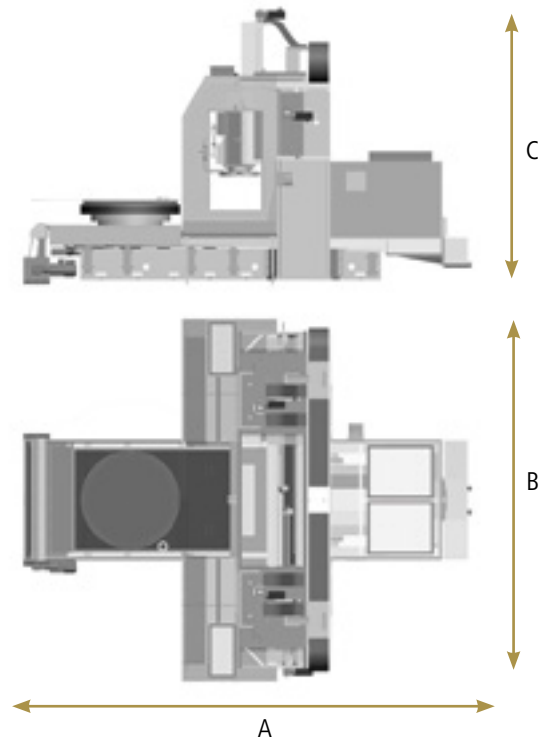
**gantry**Line RT

gantryLine	RT15	RT20	RT30
Machining Diameter (mm)	1,500	2,000	3,000
Machining Height (mm)	750/1,000		
Spindle Power (kW)	up to 4 supports with 52/70/90 each		
Spindle Cone (mm)	75/90/HSK 63/HSK 80		

### Dimensions / Weight

Length A (mm)	5,500	5,500	6,500
Width B (mm)	5,500	5,500	7,750
Height C (mm)	5,200	5,200	5,200
Weight (kg)	from 30,000		

All values are approximated and may change depending on selected options.  
All information is subject to change.



### Contact

#### ELB-SCHLIFF Werkzeugmaschinen GmbH

Bollenwaldstraße 116  
63743 Aschaffenburg  
GERMANY  
T +49 6028 408-0  
F +49 6028 408-509  
[www.elb-schliff.de](http://www.elb-schliff.de)  
[info@elb-schliff.de](mailto:info@elb-schliff.de)

A company of Autania AG, Germany

**Grinding Applications  
for a Global Market**