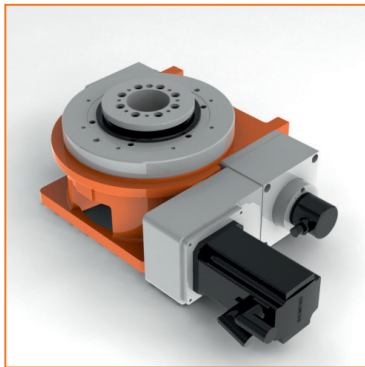


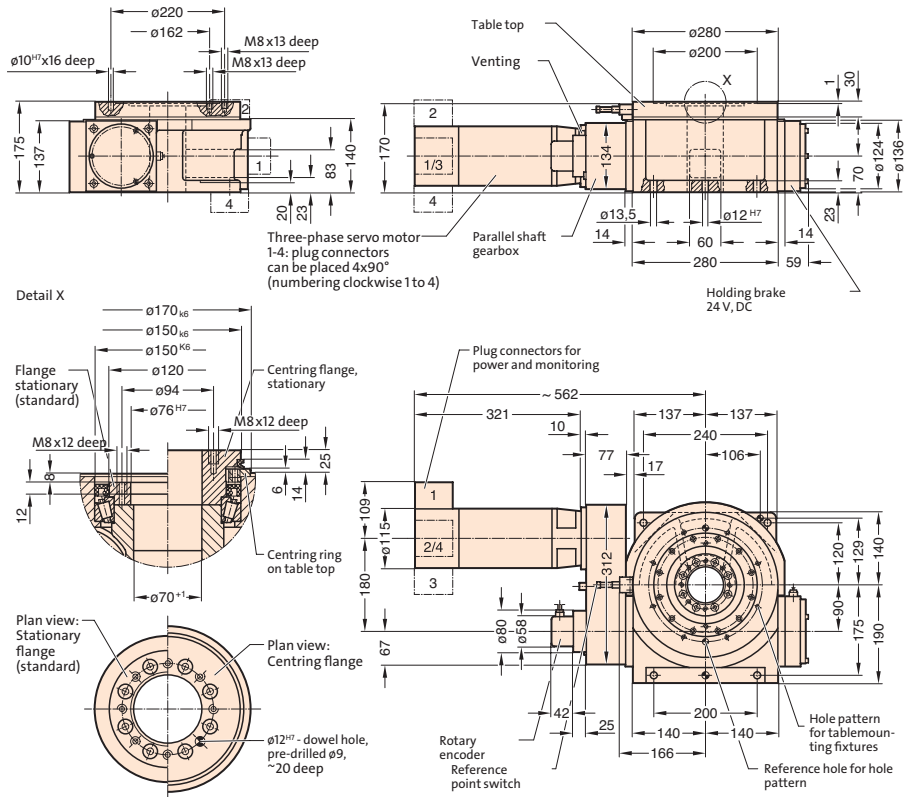
FIBROTOR  
EM.NC.13.0280.1.111.00.0.1.1



FIBROTOR  
EM.NC.13.0280.1.111.00.0.1.1

## Installed dimensions FIBROTOR® EM.NC.13

(Drive arrangement 111, for other drive arrangement, drawings or CAD-datas are available)



Technical data FIBROTOR® EM.NC.13		Encoding	
		EM.NC.13	<span style="border: 1px solid black; padding: 2px;">  </span> <span style="border: 1px solid black; padding: 2px;">  </span> <span style="border: 1px solid black; padding: 2px;">  </span> <span style="border: 1px solid black; padding: 2px;">  </span> <span style="border: 1px solid black; padding: 2px;">  </span> <span style="border: 1px solid black; padding: 2px;">  </span> <span style="border: 1px solid black; padding: 2px;">  </span> <span style="border: 1px solid black; padding: 2px;">  </span>
<b>Table top dimensions</b>	Standard dimensions Strengthened table top bearing Table top lock Built-in version	$\phi 280$ mm $\phi 250$ mm $\phi 280$ mm $\phi 280$ mm	.0280 .0250 .0280 .0280
<b>Drive motor</b>	Standard brake motor AC servomotor Special version Without motor		.1 .7 .9 .0
<b>Drive arrangement</b>	See planning documents under <a href="http://www.fibrotor.de/downloads">www.fibrotor.de/downloads</a>		.XXX
<b>Division</b>	NC - can be positioned arbitrarily		.00
<b>Additional assemblies</b>	Without additional modules Strengthened table top bearing Hydraulic table top lock Built-in version Built-in version with mounting ring Vertical version Vertical version with base plate Centring ring Centring flange Centring ring and centring flange		.0 .1 .2 .1 .2 .3 .4 .1 .2 .3
<b>Indexing accuracy in arc seconds</b>	Direct measuring system Indirect measuring system Measuring system at motor	$\pm 10''$ $\pm 45''$ $\pm 120''$	
<b>Indexing accuracy in arc length (on <math>\phi 280</math> mm)</b>	Direct measuring system Indirect measuring system Measuring system at motor	$\pm 0,007$ mm $\pm 0,031$ mm $\pm 0,082$ mm	
<b>Axial runout of Table top</b>	(relates to $\phi 280$ mm)		0,01 mm
<b>Concentricity of the centre hole</b>			0,01 mm
<b>Plane parallelism of table top to base on the housing</b>	(relates to $\phi 280$ mm)		0,03 mm
<b>Direction of rotation</b>	CW - CCW rotation		
<b>Reduction ratio worm / roller gearing</b>			$i = 12$

## Technical data FIBROTOR® EM.NC.13

<b>RPM at table top</b>		$n_{max.} = 30^1/min$
<b>Centre hole</b>	With lateral opening in the housing	$\varnothing 35\text{ mm}$
<b>Working position</b>	Any, standard: Horizontal table top, (please specify other mounting positions when ordering)	
<b>Weight</b>		approx. 70 kg

## Indexing times FIBROTOR® EM.NC.13

Mass moment of inertia J in $kgm^2$	4	8	16	24	32
Max. perm. table top speed $^1/min$	30	25	23	18	15
Acceleration time $t_a$ in s	0,2	0,2	0,3	0,4	0,5
Overall gear ratio reduction i	96,000	120,000	120,000	155,784	182,064
Motor speed n in $^1/min$	2880	3000	2760	2804	2731
Motor torque required in Nm	3,4	3,4	3,4	3,4	3,4
Swivel time $t_s$ in s for $360^\circ$	2,30	2,70	3,01	3,83	4,60
$180^\circ$	1,30	1,50	1,70	2,17	2,60
$90^\circ$	0,80	0,90	1,05	1,33	1,60
$60^\circ$	0,63	0,70	0,83	1,06	1,27
$45^\circ$	0,55	0,60	0,73	0,92	1,10
$30^\circ$	0,47	0,50	0,62	0,78	0,93
$20^\circ$	0,41	0,43	0,54	0,69	0,82
$10^\circ$	0,36	0,37	0,47	0,59	0,71
$5^\circ$	0,33	0,33	0,44	0,55	0,66
$2^\circ$	0,31	0,31	0,41	0,52	0,62

## Load data FIBROTOR® EM.NC.13

Perm. transport load	kg	1500	①
Horizontal table top	kg	400	②
Vertical table top	kg	400	
Table top, upside down	kg	400	
Perm. add-on diameter	mm	1400	③
Perm. axial loading on the table top	N	16000	④
Horizontal	N	6000	⑤
Vertical	N	10000	⑥
Perm. radial loading on table top	N	10000	⑥
Perm. tilting moment on positioned table top	Nm	3000	⑦
Horizontal	Nm	9000	⑦
With strenghtened table top bearing	Nm	1500	⑧
Vertical	Nm	4500	⑦
With strenghtened table top bearing	Nm	800	
Upside-down	Nm	800	
Perm. tilting moment on rotating table top	Nm	1000	⑦+⑧
With strenghtened table top bearing	Nm	3000	
Upside-down	Nm	400	
Perm. tangential moment on positioned table top, from machining force and in vertical position additionally from eccentric trabsport load	Nm	250	⑨
With hydraulic table top lock	Nm	900	⑨

