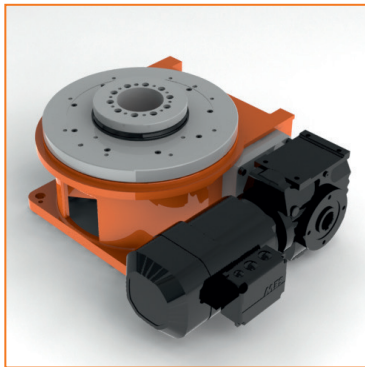




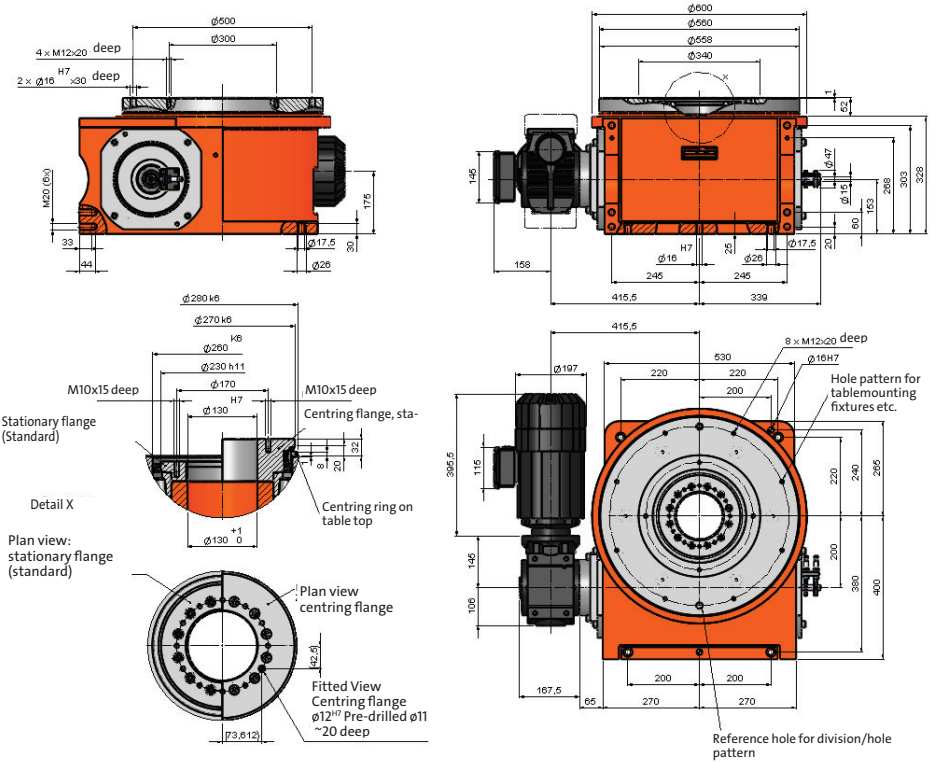
FIBROTOR ER. 17.0558.1.142.XX.0.0.3
Drive arrangement 142



FIBROTOR ER.17.0558.1.142.XX.0.0.3
Drive arrangement 142

Installed dimensions FIBROTOR® ER.17

(Drive arrangement 142, for other drive arrangements, drawings of CAD data are available)



Technical data FIBROTOR® ER.17

Encoding

ER.17 . 0 5 8 . 1 0 . . .

Table top dimensions	Standard dimensions	Ø 558 mm	.0558	②
Drive motor	Standard braking motor		.1	③
Drive arrangement	See planning documents under www.fibrotor.de/downloads		.XXX	④
Divisions 2, 4, 6, 8, 12			.XX	⑤
Additional modules	Without additional modules		.0	⑥
	Vertical version		.3	⑦
	Vertical version with ground plate		.4	⑦
	Centring ring		.1	⑧
Centring flange		.2		
Centring ring and centring flange		.3		
Precisions		± 20"		
In arc length (on Ø 558 mm)		± 0,027 mm		
Axial runout		0,04 mm		
Concentricity of the centre hole		0,04 mm		
Plane parallelism		0,08 mm		
Direction of rotation	Any, limit switch set for cw rotation			
Indexing frequency		30 c/min		
	Division 2	330°		
	Division 3 – 5	300°		
	Division 6 – 12	270°		
	Division 16 - 24	135°		
Voltage	Motor and brake	400 - 460 V 3 AC, 50/60 Hz		
Motor output	Depending on indexing time and mass moment of inertia	0,37 – 4,0 kW		
Centre hole		Ø 130 mm		
Working position	Any, standard: Horizontal table top, (please specify other mounting positions on ordering)			
Weight		ca. 450 kg		

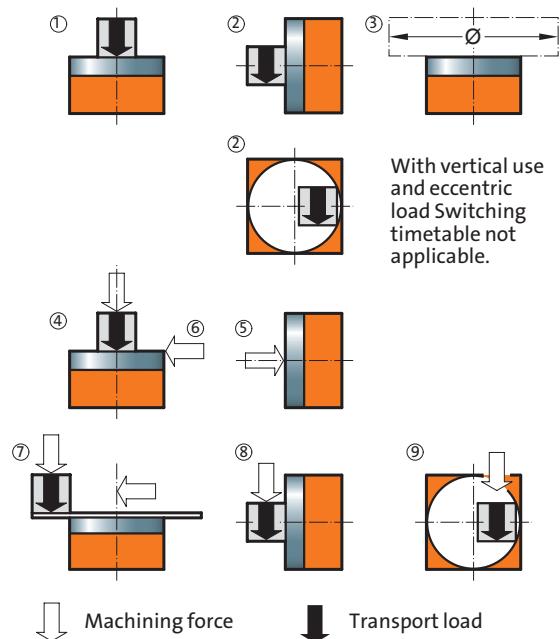
Indexing times FIBROTOR® ER.17

Division

2	t _i in s	5,08	4,61	3,69	3,35	3,04	2,43	2,13	1,81	1,63	1,45	1,37	1,16	1,06			
	J in kgm ²	1991	1644	1049	864	713	455	349	250	203	159	141	102	83,3			
3	t _i in s	4,77	4,19	3,35	3,07	2,77	2,21	1,94	1,65	1,49	1,31	1,24	1,06	0,96			
	J in kgm ²	3297	2691	1718	1436	1206	769	591	425	345	267	241	174	143			
4	t _i in s	4,77	4,33	3,46	3,07	2,79	2,23	1,94	1,65	1,49	1,31	1,23	1,05	0,96			
	J in kgm ²	5225	4315	2756	2157	1781	1137	862	619	504	389	347	251	209			
5	t _i in s	4,77	4,33	3,46	3,07	2,79	2,23	1,95	1,65	1,49	1,31	1,23	1,05	0,95			
	J in kgm ²	6215	5418	3460	2709	2308	1473	1133	803	654	505	450	325	268			
6	t _i in s	4,29	3,90	3,12	2,80	2,51	2,00	1,76	1,48	1,34	1,18	1,11	0,95	0,86	0,78	0,65	0,56
	J in kgm ²	5619	4930	3335	2837	2347	1499	1153	817	665	514	458	331	273	224	157	112
8	t _i in s	4,29	3,90	3,12	2,80	2,54	2,03	1,76	1,49	1,35	1,18	1,11	0,95	0,86	0,78	0,65	0,55
	J in kgm ²	5749	5539	4297	3666	3196	2105	1574	1131	922	702	626	453	374	307	212	152
10	t _i in s	4,29	3,90	3,12	2,84	2,54	2,03	1,78	1,49	1,35	1,18	1,12	0,95	0,86	0,78	0,65	0,55
	J in kgm ²	9713	8522	5765	5049	4177	2668	2053	1434	1168	903	805	575	474	390	270	193
12	t _i in s	4,29	3,90	3,12	2,84	2,58	2,06	1,81	1,54	1,37	1,20	1,13	0,95	0,87	0,79	0,65	0,55
	J in kgm ²	11728	10291	6961	6098	5194	3318	2553	1836	1453	1123	1002	704	581	478	331	234
16	t _i in s	2,15	1,95	1,56	1,40	1,27	1,02	0,89	0,75	0,67	0,59	0,56	0,47	0,43			
	J in kgm ²	3552	3002	1983	1687	1436	917	705	492	400	309	275	196	161			
20	t _i in s	2,15	1,95	1,56	1,42	1,29	1,03	0,89	0,76	0,67	0,59	0,56	0,48	0,43			
	J in kgm ²	5015	4238	2801	2453	2089	1334	996	716	566	437	390	282	229			
24	t _i in s	2,15	1,95	1,56	1,42	1,29	1,03	0,90	0,76	0,68	0,60	0,56	0,48	0,43			
	J in kgm ²	6191	5232	3458	3028	2579	1647	1267	884	720	557	482	348	287			

Load data FIBROTOR® ER.17

Perm. transport load			
Horizontal table top	kg	5500	①
Vertical table top	kg	1000	②
Table top, upside-down	kg	1000	
Perm. add-on diameter			
Horizontal	mm	2800	③
Vertical	mm	2800	
Upside-down	mm	2800	
Perm. axial loading on the table top			
Horizontal	N	70000	
Vertical	N	12000	④+⑤
Upside-down	N	25000	
Perm. radial loading on table top			
Horizontal	N	25000	⑥
Vertical	N	25000	
Upside down	N	25000	
Perm. tilting moment on positioned table top			
Horizontal	Nm	12000	⑦+⑧
Vertical	Nm	6000	
Upside-down	Nm	3000	
Perm. tilting moment on rotating table top			
Horizontal	Nm	4000	⑦+⑧
Vertical	Nm	4000	
Upside-down	Nm	1200	
Perm. tilting moment on positioned table top			
Horizontal	Nm	1600	⑨
Vertical	Nm	1600	
Upside-down	Nm	1600	



CAD files, technical data and planning documentation can be downloaded from www.fibrotor.de